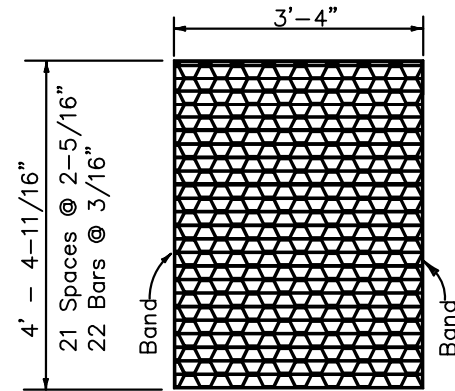
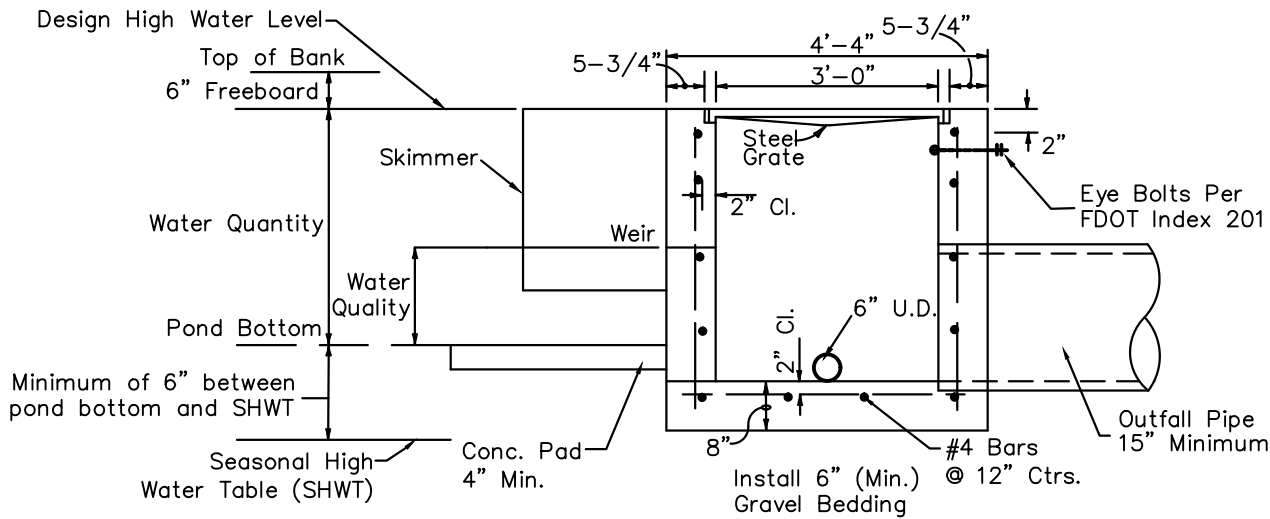


PLAN VIEW
N.T.S.



TYPE E
N.T.S.

Straight Bars 2" x 3/16"
Reticuline Bars 1-1/4" x 3/16"
Bands 1-1/2" x 1/4"
Approx. Weight 215 Lbs.



CROSS-SECTION
N.T.S.

NOTES

1. Fasten skimmer with 4 stainless steel bolts WITH lead anchors
2. Seal all edges of skimmer at 2. contact points with structure with waterproof caulking or approved equal
3. Top of underdrain shall be installed a minimum of 30" below existing grade.

6/18/15	EDITED DRAWING	S.R.
DATE	REVISION DESCRIPTION	APP

CITY OF CLEARWATER
ENGINEERING DEPARTMENT
STORM
DETAILS

STORM SEWER OUTFALL CONTROL STRUCTURE
FDOT TYPE E INLET (MODIFIED)
WITH UNDERDRAIN (DRY POND)

INDEX NO.	PAGE NO.
215	1 OF 1
LATEST REVISION	2/22/2016