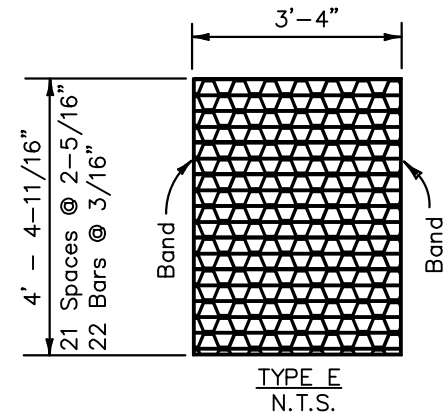
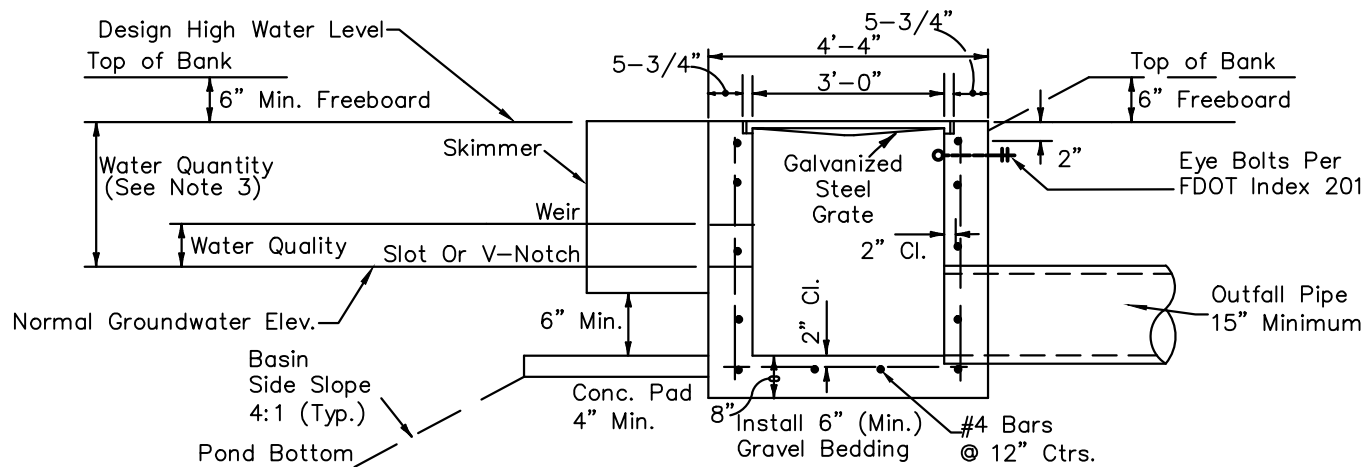


PLAN VIEW
N.T.S.



Straight Bars 2" x 3/16"
Reticuline Bars 1-1/4" x 3/16"
Bands 1-1/2" x 1/4"
Approx. Weight 215 Lbs.



CROSS-SECTION
N.T.S.

NOTES

1. Fasten skimmer with 4 stainless steel bolts with lead anchors
2. Seal all edges of skimmer at contact points with structure with waterproof caulking or approved equal
3. Due to the detention time required for wet detention systems, only that volume which drains below the overflow weir elevation within 36 hours may be counted as part of the volume required for water quantity storage

8/16/18	EDITED CROSS SECTION & ADDED NOTE 3	J.S.
6/16/15	EDITED DRAWING	S.R.
DATE	REVISION DESCRIPTION	APP

CITY OF CLEARWATER
ENGINEERING DEPARTMENT
STORM
DETAILS

STORM SEWER OUTFALL CONTROL STRUCTURE
FDOT TYPE E INLET (MODIFIED)
WITH SLOT OR V-NOTCH (WET POND)

INDEX NO.	PAGE NO.
216	1 OF 1
LATEST REVISION	8/16/18